

GYH08 Changeover Switch

Technical Data

- Conformsto I/IEC:60947-3;
- Choice of Two Pole&Four Pole versions;
- Front operation with three stable positions I-0-II;
- Off at middle position;
- DIN Rail Mounting facility.

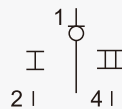


Technical Data

Rated Voltage	240/415V~
Rated Current	16,25,32,40,63,80A
Rated Frequency	50/60Hz
Number of Poles	1,2,3,4P
Contact form	I-0-II
Electrical Life	1500 Cycles
Mechanical Life	10000 Cycles
Protection degree	IP20
Ambient Temperature	-5°Cto40°C
Terminal/Cable size	25mm ²
Installation	Mounting on 35mm DIN rail

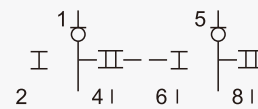
Connection Diagrams/Technical Marking

1P



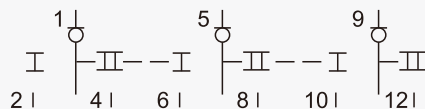
- | | | |
|------|------------------------------------|---|
| "I" | Incoming Terminals(Main Supply) | 2 |
| "II" | Incoming Terminals(Standby Supply) | 4 |
| | Outgoing Terminals(to load) | 1 |
- Mid position of knob is 'OFF' position

2P



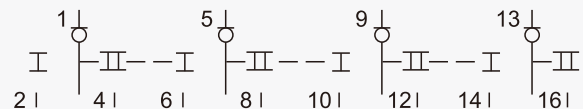
- | | | |
|------|------------------------------------|-----|
| "I" | Incoming Terminals(Main Supply) | 2&6 |
| "II" | Incoming Terminals(Standby Supply) | 4&8 |
| | Outgoing Terminals(to load) | 1&5 |
- Mid position of knob is 'OFF' position

3P



- | | | |
|------|------------------------------------|--------|
| "I" | Incoming Terminals(Main Supply) | 2,6&10 |
| "II" | Incoming Terminals(Standby Supply) | 4,8&12 |
| | Outgoing Terminals(to load) | 1,5&9 |
- Mid position of knob is 'OFF' position

4P



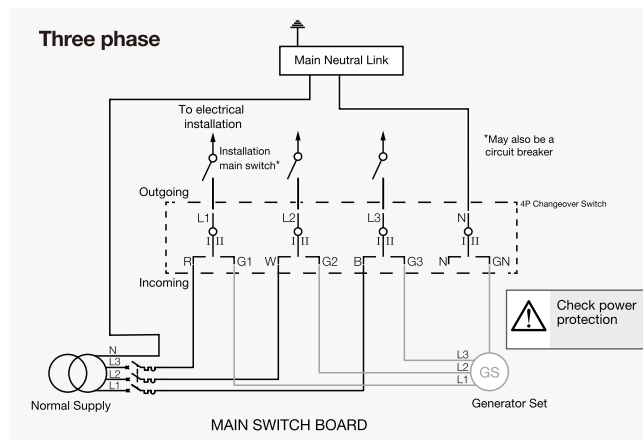
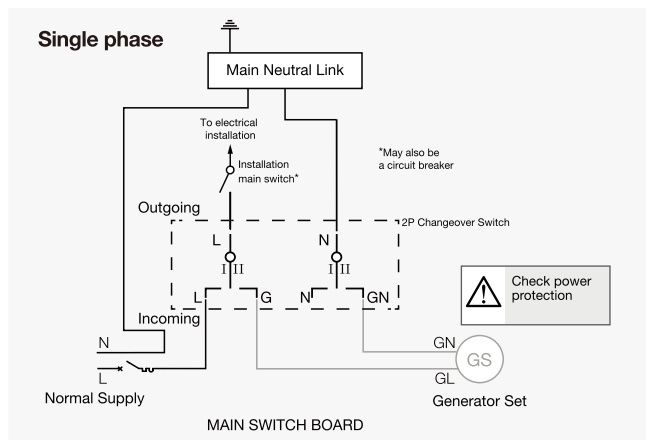
- | | | |
|------|------------------------------------|-----------|
| "I" | Incoming Terminals(Main Supply) | 2,6,10&14 |
| "II" | Incoming Terminals(Standby Supply) | 4,8,12&16 |
| | Outgoing Terminals(to load) | 1,5,9&13 |
- Mid position of knob is 'OFF' position

EKCS101H Changeover Switch

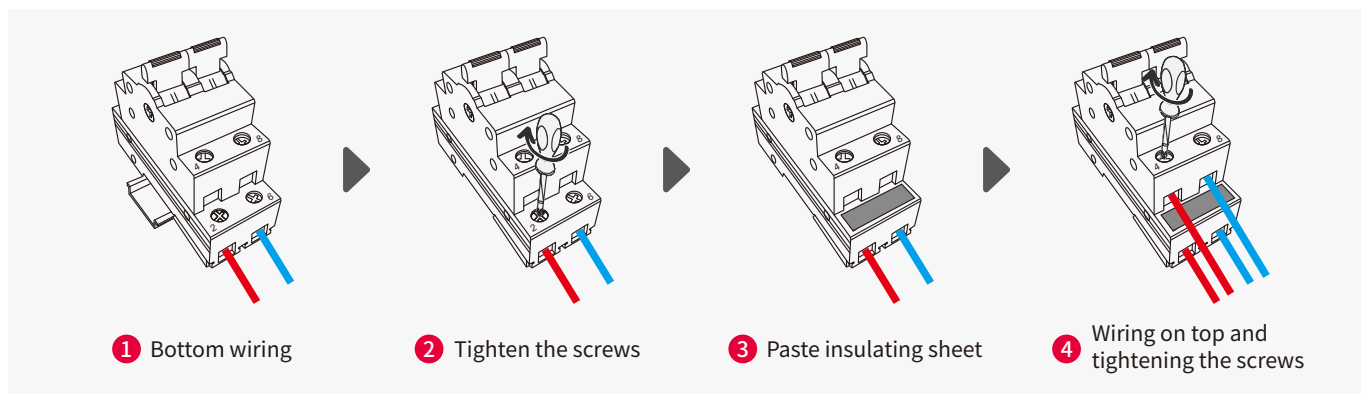
Wiring Diagrams for the use of changeover switches (I-0-II) with stand-by generators

Stand-by generator or Alternative supply generator: typical location of manual changeover device with centre “ off ” position in the main switch board.

The incoming changeover must be protected with an appropriate MCB to protect against short circuit and disconnection.



Connection



OverallDimensions

